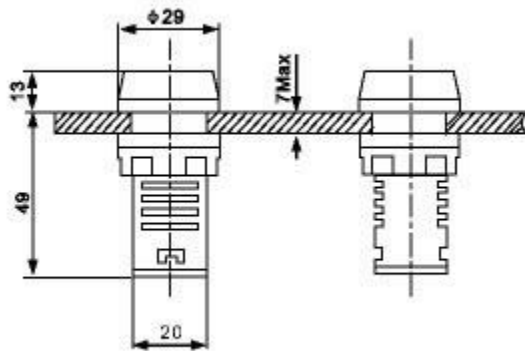
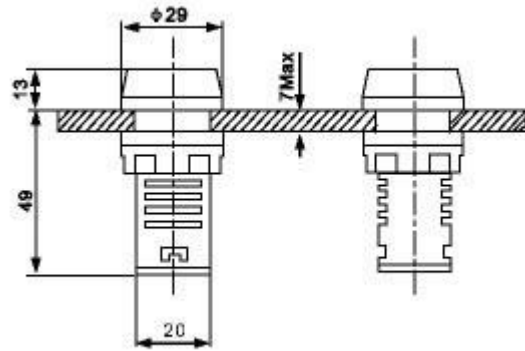


AD26B-22MJ Flash Buzzer



Part NO: AD26B-22MJ

intermittently buzzer with LED flash light

Application and main technical parameters:

- 1) Operating Diameter: 22mm
- 2) Brightness:  $\geq 60$ cd/m<sup>2</sup> , LED chip
- 3) Emitting Color: Red (R), green (G), yellow (Y), Orange(O), white (W), blue (B)
- 4) Voltage: AC/DC12, AC/DC24V, AC/DC36V, AC/DC48, AC/DC110V, AC/DC220V, AC380V
- 5) Operational temperature: -25 to +55
- 6) Operational humidity: 45% to 90%
- 7) Pollution grade: 3
- 8) Protection grade: IP65
- 9) Pure color chips, Top-class quality resistant and capacitor
- 10) 100% Passed 48hours high-low temperature life time testing before shipping
- 11) Certificate: CCC, CE, ROHS, ISO9001

Inner packing:

Dimensions: 15.7 x 6.9 x 5.9cm

N.W.: 255g

Outer packing:

Carton dimension: 37.5 x 33 x 32.5cm

N.W.: 15kg