

Feature:

- Multi-folded periphery of the enclosure to avoid water and sundries entering into the inner enclosure;
- Cold rolled steel welded frame with strong structure;
- All-round polyurethane gasket in the door with good protection;
- Molded door border with exquisite image and strong intensity;
- Door can be open from left or right;
- Door can be turned to 110 degrees with hinge, and 180 degrees with special hinge;
- Adjustable mounting panel;
- M8 earth pole is mounted on the body, door and the mounting panel;
- Mounting hole drilled at the back of the enclosure, no need extra holes.

Degree of protection:

- Comply with IEC60529, EN60529/10.91 and GB4208-93 standard;
- Small size enclosure with IP66 (width and height less than 400mm);
- Width and height over 400mm enclosure with IP55;

Material:

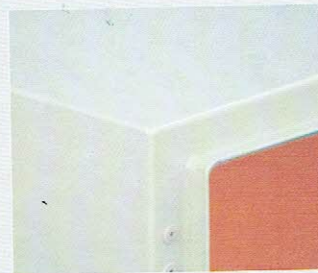
- SPCC cold rolled steel;
- Thickness: mounting panel: 2.5MM; others: 1.5mm;

Surface finish:

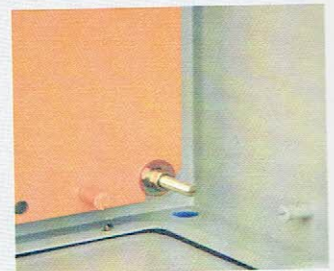
- Body of enclosure and doors :
Degreasing, phosphoric, electrophoretic dip-coated printed, static power with textured stove enamel RAL7035;
- Mounting panel (SPCC cold rolled steel)
Degreasing, pickling, phosphoric, electrophoretic dip-coated printed, static powdered with flat coating RAL2000.

Use:

- Available for mounting various kinds of electronic component,



Multi-folded protection



Adjustable mounting panel

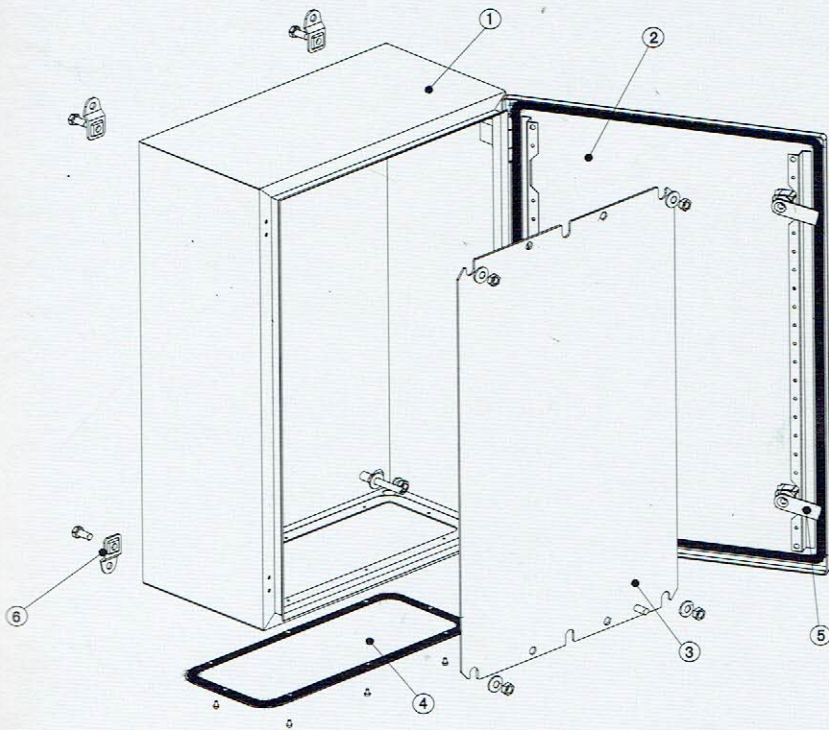


Molded door border



Powdered surface with textured stove enamel

Main Structure



- 1.Body
- 2.Door
- 3.Mounting panel
- 4.Mounting entrance panel
- 5.Lock
- 6.Braket

Main Dimension

