

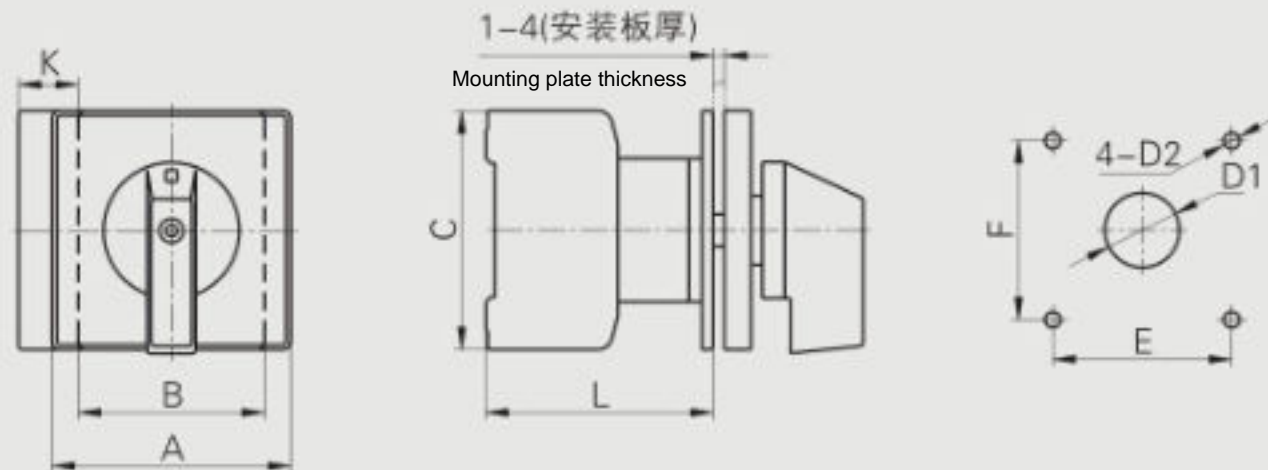


LW30 系列转换开关

LW30 Series Transfer switch

外形尺寸和安装尺寸 Dimensions and installation dimensions

面板安装 Panel mounting



型号规格	外形尺寸 (mm) Dimensions					安装尺寸 (mm) Installation size			
	A	B(3P)	C	K(B+K=4P)	L	E	F	D1	D2
LW30-20	□64	42	54	13.5	61	48	48	∅10	∅4.2
LW30-25	□64	42	54	13.5	61	48	48	∅10	∅4.2
LW30-32	□64	42	54	13.5	61	48	48	∅10	∅4.2
LW30-40	□64	50	64	16	67	48	48	∅10	∅4.2
LW30-63	□64	50	64	16	67	48	48	∅10	∅4.2
LW30-80	□64	70	80	22.5	82	48	48	∅10	∅4.2
LW30-100	□64	70	80	22.5	82	48	48	∅10	∅4.2